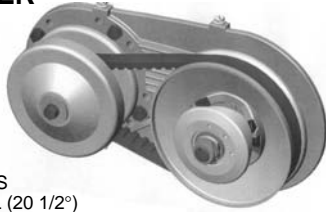


COMET TORQ-A-VERTER

ORDERS ONLY
1-800-262-0555
ALL QUESTIONS
440-564-8100

TORQ-A-VERTER TAV 2-30



SYSTEM: TAV30SERIES
TYPE: ASYMMETRICAL (20 1/2°)
RECOMMENDED H.P.:
MAX: 8 H.P 2 CYCLE MAX: 8 H.P 4 CYCLE
DRIVE BELT: 3/4" TOP WIDTH ASYMMETRICAL TYPE
DRIVE CLUTCH BORE SIZES: 3/4" (3/16" KEY),
1" (1/4 KEY)
DRIVE CLUTCH ENGAGEMENT:
2200 RPM
DRIVEN UNIT DIA. 6"

PART NO.	DESCRIPTION	RACER NET
215403A	3/4" 12T #35 CHAIN TAV	\$187.43
215404A	3/4" 10T #40/41 CHAIN TAV	187.43
204372A	1" 12T #35 CHAIN TAV	209.21
211125A	1" 10T #40/41 CHAIN TAV	209.21

20 & 30 SERIES DRIVER REPLACEMENT SPRINGS & WEIGHTS

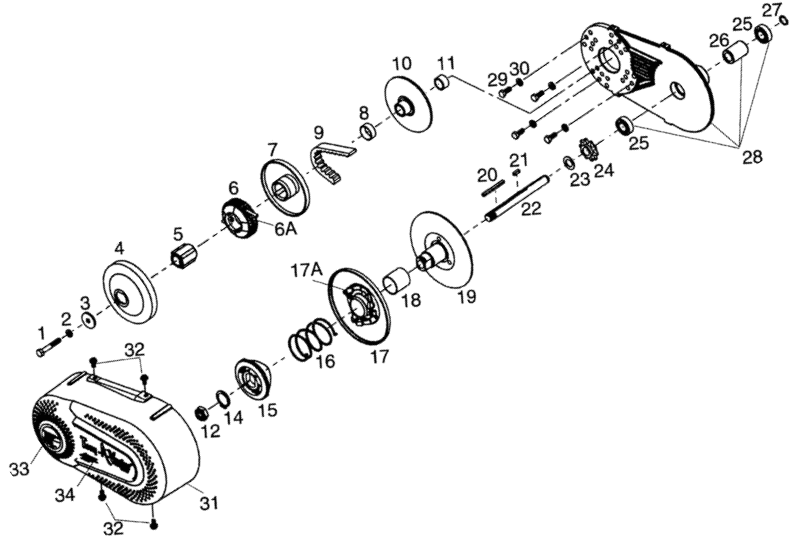


PART NO.	DESCRIPTION	RACER NET
202933A	320 GRAM WEIGHT (Std.)	\$21.75
202931A	146.8 GRAM WEIGHT (Optional)	21.75



PART #	COLOR	ENGAGEMENT USING 320 GRAM WEIGHT	ENGAGEMENT USING 146.8 GRAM WEIGHT	RACER NET
11184A	Orange	1500RPM	2350RPM	\$6.26
11186A	Pink	1800RPM	2800RPM	6.26
11188A	Blue (Std)	2200RPM	3300RPM	6.26
11189A	Black	1400RPM	2100RPM	10.70
11190A	White	3100RPM	4000RPM	6.26
216111A	Yel/Blue	3300RPM	4200RPM	10.09
216115A	Blue/Silv	3600RPM	4600RPM	10.09

COMET INDUSTRIES REPLACEMENT PARTS



ITEM NO.	PART NO.	DESCRIPTION	QTY REQ.	RACER NET
	203814A	3/4" Bore Driver Assy.		\$65.89
	203603A	1" Bore Driver Assy.		90.60
	215655A	5/8" Driven Assy.		69.11
1	215730A	7/16"-20 x 2" Mtg. Bolt (TAV 30-100)	1	3.38
1	205384A	3/8" -24 x 2" Mtg Bolt (TAV 30-75 & TAV 30-100)	1	2.93
2	200702A	3/8" Lock Washer	1	1.73
2	205836A	7/16 Lock Washer	1	2.40
3	200841A	3/8" I.D Steel Washer (TAV 30-75)	1	2.93
3	202429A	3/8" I.D. Pilot Washer (TAV 30-100)	1	10.91
3	200840A	5/16" I.D. Steel Washer (TAV 30-75)	1	3.38
The above hardware is included to mount your drive clutch to your engine. It is important that you use the correct bolt and washers to fit your particular engine.				
4	202090A	3/4" Drum Driver	1	8.44
4	202427A	1" Drum, Driver (TAV 30-100)	1	8.96
5	200376A	Hub, Driver 3/4" I.D	1	9.56
5	203641A	Hub, Driver, Splined 1" I.D. (TAV30-100)	1	31.54
6	200344A	Driver Weight Assembly Complete (TAV30-75 & TAV30-100)	1	25.05
6B	11188A	Spring Garter (Blue) TAV 30-75 & TAV30-100 (pkg of 2)	2	6.26
7	200410A	Sheave, movable Half w/hub 3/4 Bore	1	18.41
7	203515A	Sheave, Movable Half w/splined Hub 18" (TAV30-100)	1	24.90
8	200349A	Bushing, Bronze (idler Not used on TAV 30-100)	1	4.58
9	203589A	7" Belt, asymmetric	1	20.66
10	202066A	Sheave, Stationary, 2 1/2 - 3/4" I.D	1	20.10
10	206633A	Sheave, Stationary, 2 1/2 - 1" I.D (TAV30-100)	1	39.83
11	200389A	Spacer, 3/4" I.D	1	7.91
11	202877A	Spacer, 1" I.D. (TAV30-100)	1	12.23
12	203189A	Jam Nut, 5/8-18 x 3/8"	1	4.05
14	204177A	Ring, Retaining (Old style)	1	4.05
14	204714A	Ring, Retaining (New style)	1	4.05
15	215650A	Cam, Fixed	1	12.30
16	215699A	Spring, Green	1	5.63
17	215647A	6" Face, movable w/cam	1	31.24
17A	204332A	Button, insert (pkg. of 3)	2	2.93
	218827A	Brown Button, insert (pkg. of 3)		4.76
		Fits newer style 20 & 30 Series Driven Units		
18	203942A	Bushing	1	4.58
19	215637A	Face, Fixed w/post, 5/8 Bore	1	35.66
20	209831A	3/16" sq. x 2 1/4" key	1	3.38
21	11059A	3/16" sq. x 9/16 Key (pkg. of 2)	1	4.58
22	212225A	5/8" Dia. Jackshaft 6 3/8" length	1	16.80
23	200834A	Washer 5/8 I.D., 1" O.D (pkg. of 2)	1	3.38
24	200379A	Sprocket 12T-3/8P #35 chain	1	16.28
24	202168A	Sprocket, 10T 1/2P #40/41 chain	1	21.34
25	215558A	Ball Bearing Kit (pkg. of 2)	1	13.95
27	212227A	Ring, Retaining	1	2.40
28	211399A	Mounting Bracket w/Bearings (Steel - Old Style)	1	67.80
28	218525A	Mounting Bracket w/Spacer & Bearings (Aluminum)	1	73.20
31	200383A	Shroud, Plastic TAV-1	1	24.53
31	218351A	Shroud, Plastic TAV-2	1	27.23
32	204097A	Dry Lube 11 oz. Spray Can		12.23

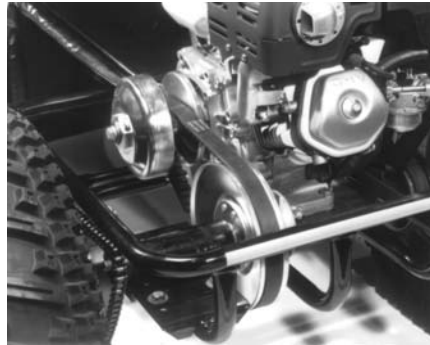
COMET TORQUE CONVERTERS

ORDERS ONLY
1-800-262-0555
ALL QUESTIONS
440-564-8100

COMET 20 SERIES TORQUE CONVERTER SYSTEMS

SYSTEM: Model 20 Series
TYPE: Symmetrical (26°)
RECOMMENDED H.P.
MAX: 8 H.P. 2 cycle
MAX: 8 H.P. 4 cycle
DRIVE BELT: 3/4" Top width
Symmetrical Type

DRIVE CLUTCH BORE SIZES:
3/4", 1" (3/16-1/4 key)
DRIVE CLUTCH ENGAGEMENT RANGE:
MIN: 1200 RPM **MAX:** 3100 RPM
DRIVEN UNIT DIA. 6" or 7": 5/8" or 3/4" Bore (3/16 key)



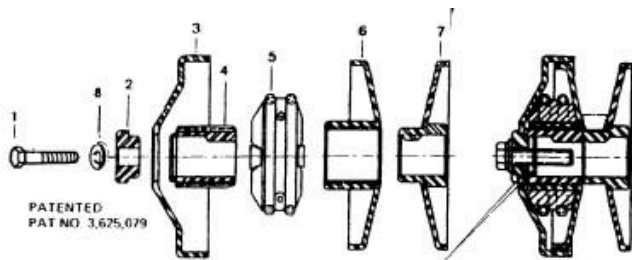
DRIVER UNITS

PART NO.	DESCRIPTION	RACER NET
203812A	Driver 3/4" Bore	\$65.89
203543A	1" Bore driver	90.60

DRIVEN UNITS

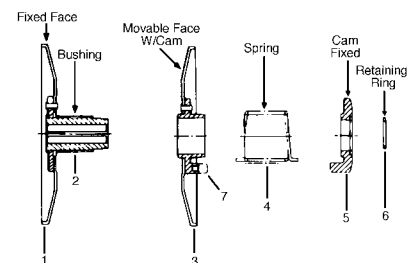
PART NO.	DESCRIPTION	RACER NET
215651A	5/8 Bore- 6" Dia. driven	\$75.60
215652A	3/4 Bore- 6" Dia. driven	75.60
215653A	5/8 Bore- 7" Dia. driven	75.60
215654A	3/4 Bore- 7" Dia. driven	75.60

1" BORE DRIVER REPLACEMENT PARTS



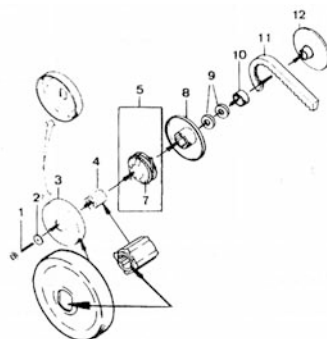
ITEM NO.	PART NO.	DESCRIPTION	QTY REQ.	RACER NET
1	202092A	Screw, Wiz-Loc 3/8-24x1 1/2"	1	\$3.26
2	202429A	Washer, Pilot	1	10.91
3	202427A	1" Drum Driver	1	8.96
4	203641A	1" Hub Driver Splined (1/4 key)	1	31.54
5	200344A	Weight ass'y Driver	1	25.05
6	203637A	Face, movable w/ Splined Hub	1	25.05
7	203639A	Face, fixed & Hub (1/4 key)	1	28.43
	204097A	Dry Lube 11 oz. Spray Can		12.23

20 SERIES DRIVEN UNIT REPLACEMENT PARTS



ITEM NO.	PART NO.	DESCRIPTION	QTY REQ.	RACER NET
1	215641A	6" Face, fixed w/post 5/8 bore (3/16 keyway)	1	\$35.66
1	215640A	6" Face, fixed w/post 3/4 bore (3/16 keyway)	1	35.66
1	215639A	7" Face, fixed w/post 5/8 bore (3/16 keyway)	1	35.66
1	215638A	7" Face, fixed w/post 3/4 bore (3/16 keyway)	1	35.66
2	203942A	Bushing	1	4.58
3	215645A	6" face, movable w/cam	1	31.24
3	215646A	7" Face, movable w/cam	1	31.24
4	215698A	Spring, coil, blue	1	5.63
5	215650A	Cam, fixed 20°	1	12.30
	204714A	Ring, retaining (New style)	1	4.05
6	204177A	Ring, retaining (Old style)	1	4.05
7	204332A	Button, insert (pkg. of 3)	2	2.93
	218827A	Brown Button insert (pkg. of 3) fits newer style 20 & 30 Series Driven Clutch		4.76

3/4" BORE DRIVER REPLACEMENT PARTS



ITEM NO.	PART NO.	DESCRIPTION	QTY REQ.	RACER NET
1	202092A	Screw, Wiz loc 3/8-24 x 1 1/2" (Use on 203814A)	1	\$3.26
2	200841A	Washer, steel 3/8" I.D. - on 203814A	1	2.93
3	202090A	3/4" Drum Driver	1	8.44
4	200376A	Hub driver 3/4" I.D. (3/16 key)	1	9.56
5	200344A	Weight Assembly (Zinc weights engagement 2200 RPM)	1	25.05
7	11188A	Spring, garter blue (pkg. of 2)	2	6.26
8	200351A	Face, movable w/splined hub	1	18.41
9	200836A	Washer, belt spacer (1 pr.)	2	6.75
10	200349A	Bushing, bronze	1	4.58
11		See belt specs	1	
12	202064A	Fixed Sheave 3/4" Bore (3/16 Key)	1	23.93

20 SERIES BELTS

PART NO.	CENTER TO CENTER DISTANCE		RACER NET	
	6" Dia Driven	7" Dia. Driven	Belt O.C	
203578A	6 15/16-7	no fit	27.36	\$20.66
203579A	7 1/8-7 3/16	6 1/4-6 5/16	28.32	20.66
203580A	7 9/16-7 5/8	6 13/16-6 7/8	29.28	20.66
203581A	8 3/16-8 1/4	7 5/16-7 3/8	30.25	20.66
203582A	8 11/16-8 3/4	7 3/4-7 13/16	31.23	20.66
203583A	9 3/16-9 1/4	8 5/16-8 3/8	32.20	20.66
203584A	9 5/8-9 11/16	8 3/4-8 13/16	33.18	26.89
203585A	9 15/16-10	9 3/16-9 1/4	33.78	20.66
203586A	10 3/4-10 13/16	9 13/16-9 7/8	35.14	20.66
203587A	11 11/16-11 3/4	10 15/16-11	37.11	20.66
203588A	13 1/16-13 1/8	12 1/8-12 3/16	39.77	20.66

COMET TORQUE CONVERTERS

ORDERS ONLY
1-800-262-0555
ALL QUESTIONS
440-564-8100

COMET 30 SERIES TORQUE CONVERTER SYSTEMS



SYSTEM: Model 30 Series
TYPE: Asymmetrical (20 1/2°)
RECOMMENDED H.P.
MAX: 8 H.P. 2 cycle
MAX: 8 H.P. 4 cycle
DRIVE BELT: 3/4" Top width
Asymmetrical Type
DRIVE CLUTCH BORE SIZES:
3/4", 1" (3/16-1/4 key)
DRIVE CLUTCH ENGAGEMENT RANGE:
MIN: 1200 RPM MAX: 3100 RPM
DRIVEN UNIT DIA. 6" or 7": 5/8" or 3/4" Bore
(3/16 key)

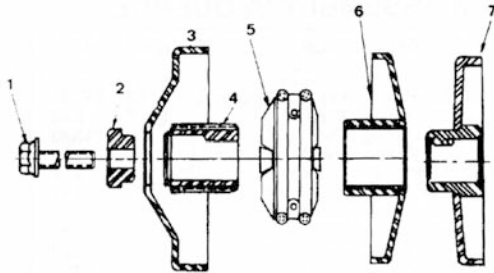
DRIVER UNITS

PART NO.	DESCRIPTION	RACER NET
203814A	Driver 3/4" Bore	\$65.89
203603A	1" Bore driver	90.60

DRIVEN UNITS

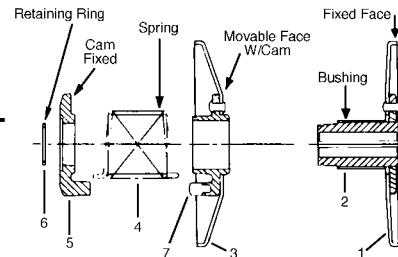
PART NO.	DESCRIPTION	RACER NET
215655A	5/8 Bore- 6" DIA. Driven	\$69.11
215656A	3/4 Bore- 6" DIA. Driven	75.60
215657A	5/8 Bore- 7" DIA. Driven	69.11
215658A	3/4 Bore-7" DIA. Driven	75.60

1" BORE DRIVER REPLACEMENT PARTS



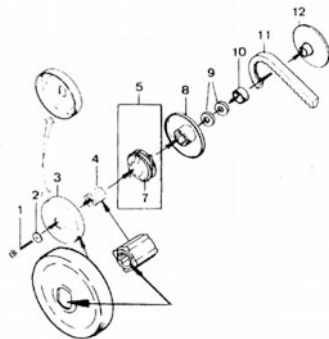
ITEM NO.	PART NO.	DESCRIPTION	QTY REQ.	RACER NET
1	205384A	Mounting Bolt, Wiz-Loc 3/8-24x2"	1	\$2.93
2	202429A	Washer, Pilot 3/8" I.D.	1	10.91
3	202427A	1" Drum Driver	1	8.96
4	203641A	1" Hub Driver Splined (1/4 key)	1	31.54
5	200344A	Weight assy Driver	1	25.05
6	203515A	Sheave, movable w/ Splined Hub	1	24.90
7	206633A	Sheave, fixed & Hub (1/4 key)	1	39.83
	204097A	Dry Lube 11 oz. Spray Can		12.23

30 SERIES DRIVEN UNIT REPLACEMENT PARTS



ITEM NO.	PART NO.	DESCRIPTION	QTY REQ.	RACER NET
1	215637A	6" Face, fixed w/post 5/8 bore (3/16 keyway)	1	\$35.66
1	215636A	6" Face, fixed w/post 3/4 bore (3/16 keyway)	1	35.66
1	215635A	7" Face, fixed w/post 5/8 bore (3/16 keyway)	1	35.66
1	215634A	7" Face, fixed w/post 3/4 bore (3/16 keyway)	1	35.66
2	203942A	Bushing	1	4.58
3	215647A	6" face, movable w/cam	1	31.24
3	215648A	7"Face, movable w/cam	1	31.24
4	215699A	Spring, coil, green	1	5.63
5	215650A	Cam, fixed 20°	1	12.30
	204714A	Ring, retaining (New style)	1	4.05
6	204177A	Ring, retaining (Old style)	1	4.05
7	204332A	Button, insert (pkg. of 3)	2	2.93
	218827A	Brown Button insert (pkg. of 3) fits newer style 20 & 30 Series Driven Clutch		4.76

3/4" BORE DRIVER REPLACEMENT PARTS



ITEM NO.	PART NO.	DESCRIPTION	QTY REQ.	RACER NET
1	202092A	Screw, Wiz loc 3/8-24 x 1 1/2" Use on 203814A)	1	\$3.26
2	200841A	Washer, steel 3/8" I.D.- on 203814A	1	2.93
3	202090A	3/4" Drum Driver	1	8.44
4	200376A	Hub driver 3/4" I.D. (3/16 key)	1	9.56
5	200344A	Weight Assembly (Zinc weights engagement 2200 RPM)	1	25.05
7	11188A	Spring, garter blue (pkg. of 2)	2	6.26
8	200410A	Face, movable w/splined hub (not required on units manufactured after 1994)	1	18.41
9	200836A	Washer, belt spacer(not required on units manufactured after 1994) (1 pr.)	2	6.75
10	200349A	Bushing, bronze	1	4.58
11		See belts specs	1	
12	202066A	Fixed Sheave 3/4" Bore (3/16 Key)	1	20.10

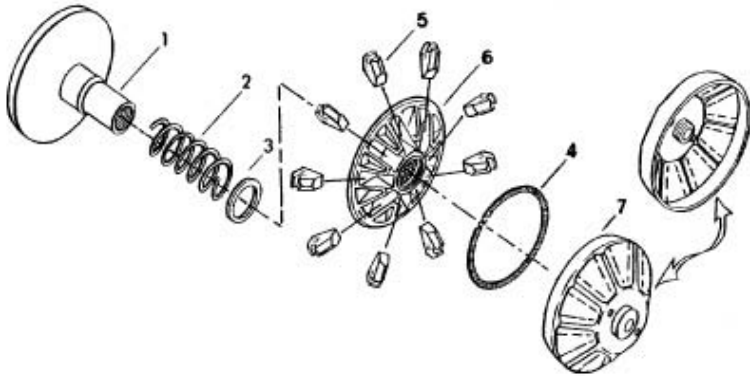
30 SERIES BELTS

PART NO.	CENTER TO CENTER DISTANCE		RACER NET	
	6" Dia Driven	7" Dia. Driven	Belt O.C	
203589A	6 15/16-7	no fit	27.36	\$20.66
203590A	7 1/8-7 3/16	6 1/4-6 5/16	28.32	20.66
203591A	7 9/16-7 5/8	6 13/16-6 7/8	29.28	20.66
203592A	8 3/16-8 1/4	7 5/16-7 3/8	30.25	20.66
203593A	8 11/16-8 3/4	7 3/4-7 13/16	31.23	20.66
203594A	9 3/16-9 1/4	8 5/16-8 3/8	32.20	20.66
203595A	9 5/8-9 11/16	8 3/4-8 13/16	33.18	20.66
203596A	9 15/16-10	9 3/16-9 1/4	33.78	20.66
203597A	10 3/4-10 13/16	9 13/16-9 7/8	35.14	20.66
203598A	11 11/16-11 3/4	10 15/16-11	37.11	21.75
203599A	13 1/16-13 1/8	12 1/8-12 3/16	39.77	23.93

COMET TORQUE CONVERTERS

ORDERS ONLY
1-800-262-0555
ALL QUESTIONS
440-564-8100

MAGNUM 44C DRIVE CLUTCH ASSEMBLY SEQUENCE 1" BORE



A rugged piece of machinery, the drive clutch is designed to withstand the extreme rigors of rough applications. The driven unit is of the same quality construction as the drive clutch. Application possibilities cover a wide range... by changing pucks and spring you can convert the Magnum from the standard 4 cycle setup to be used on 2 cycle engines. The model 44C coupled with either the 40D or 44D is designed for numerous applications including the recreational vehicles such as the big three wheelers, ATV'S, LTV'S and the E.T.V.

Part No.	Description	Racer Net
209418A	Drive Clutch, 1" Bore, 1/4" Keyway	\$157.01

PARTS LIST & ASSEMBLY SEQUENCE

ITEM	PART NO.	DESCRIPTION	QTY./UNIT	RACER NET
1	209416A	Fixed Face/Post, 1" Bore, 1/4" Keyway	1	\$57.26
2	203039A	Spring, Green	1	5.63
2	209417A	Spring, Silver	1	13.43
3	209421A	Washer, Thrust	1	3.38
4	211573A	Garter Spring, White	1	4.58
5	209855A	Puck, Red with 3/4" Insert (Std.) sold in packs of 3	9	13.43
5	209406A	Puck, Black Solid (3 Pack)	9	7.88
6	209413A	Face, Movable w/Bearing	1	80.63
7	209412A	Cover Plate with Threaded Pilot Washer	1	40.69

RECOMMENDED H.P.:

Max. 18 H.P. 4-Cycle

DRIVE BELT:

Symmetrical Type

DRIVE CLUTCH BORE SIZES:

1"

40D DRIVEN CLUTCH BORE SIZES:

5/8", 3/4", 7/8" - 7 1/2" Dia.

44D DRIVEN CLUTCH BORE SIZES:

3/4" - 8 1/2" Dia.

Note: Mounting bolt not included. Use a bolt long enough to engage threads in the crankshaft at least 2 1/2 times bolt diameter.

MAGNUM 44C CLUTCH - ENGAGEMENT CHART

WITH GREEN SPRING #203039A & WHITE GARTER SPRING #211573A

TOTAL GRAM WEIGHT	RED 3/4" 2-209855A	WHITE SOLID 1-209406A	ENGAGE RPM	TOTAL PUCKS
78		3	3900	3
156		6	3000	6
168.3	3		2900	3
234		9	2500	9
246.3	3	3	2500	6
324.3	3	6	2300	9
336.6	6		2300	6
414.3	6	3	2100	9
504.9	9		1900	9

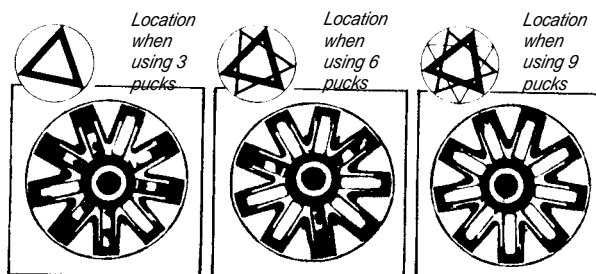
WITH SILVER SPRING #209417A LESS GARTER SPRING #211573A

TOTAL GRAM WEIGHT	SILVER SPRING #209417A	WHITE SOLID 1-209406A	ENGAGE RPM	TOTAL PUCKS
156		6	3700	6
234		9	3200	9

44 MAG w/40D		44 MAG w/44D	
SPEED REDUCTION RATIOS			
High	Low	High	Low
1:1	2.43:1	1.24:1	2.83:1
OVERALL		OVERALL	
2.43		2.29	

CAUTION !

Three *IDENTICAL* Pucks =
One Set
Always form an
EQUAL TRIANGLE with each set
of three (3) *IDENTICAL* PUCKS
being installed.



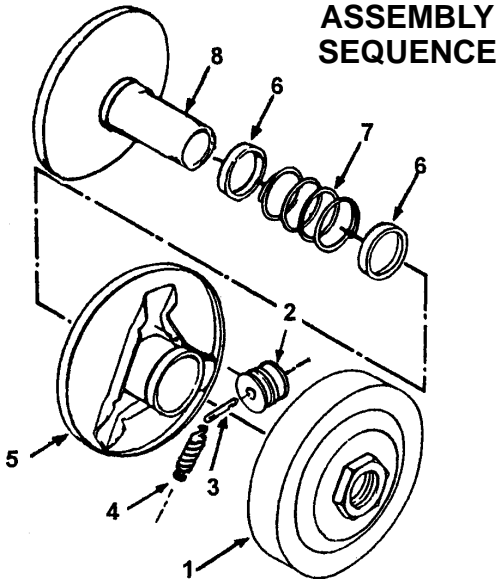
Warning! When 2 or more puck types are to be used at the same time, each type must be installed as shown, in sets of 3.

COMET TORQUE CONVERTERS

ORDERS ONLY
1-800-262-0555
ALL QUESTIONS
440-564-8100

40C DRIVE CLUTCH 1" BORE DRIVE CLUTCH ASSEMBLY COMPLETE

PART NO.	DESCRIPTION	RACER NET
203015A	Drive Clutch, 1" Bore, 1/4 key	\$137.03



SYSTEM: Model 40 Series
TYPE: Symmetrical (26)
RECOMMENDED H.P.: 18 HP / 4-Cycle
DRIVE BELT: 7/8" Top Width / Symmetrical Type
DRIVE CLUTCH BORE SIZES: 1" (3 / 16-1/4 key)
DRIVE CLUTCH ENGAGEMENT RANGE: MIN. 1600 RPM
MAX. 3100 RPM
DRIVEN UNIT: 7 1/2" Dia See 40D - 8 1/2" Dia. See 44D

40C w/40D		40C w/44D	
SPEED REDUCTION RATIOS			
High	Low	High	Low
1:1	2.43:1	1.24:1	2.83:1
Overall		Overall	

DRIVE CLUTCH ENGAGEMENT CHART			
SPRINGS			
CAM ROLLERS		Yellow 14# 203043A	Red 28# 203040A
	Heavy 203648A	*1600 RPM	2000RPM
	Medium 203649A	2200RPM	2600RPM
	*Standard Clutch Set-Up		

PARTS LIST

ITEM NO.	PART NO.	DESCRIPTION	QTY REQ.	RACER NET
1	203021A	Cover & Drive Plate	1	\$40.69
2	203648A	Cam, Roller, STD. Heavy (pkg of 3)	1	18.41
	203649A	Cam, Roller, Optional, Medium (pkg of 3)	1	18.41
3	203044A	Clip, Spring (pkg of 3)	1	4.58
4	203043A	Spring, Extension, Yellow, Std. (pkg of 3)	1	15.08
	203040A	Spring, Extension, Red, Optional (pkg of 3)	1	15.08
5	203022A	Face, Movable & Hub	1	44.51
6	203031A	Bushing, Guide	2	4.58
7	203039A	Spring, Compression	1	5.61
8	203023A	Face, Fixed & Post, 1" Bore, 1/4 Key	1	34.99
	204097A	Dry Lube 11 oz. Spray Can		12.23

40/44D DRIVEN UNITS

40 DRIVEN UNITS, 7/8 BELT-7 1/2" DIA.

ORDER NO.	DESCRIPTION	RACER NET
209151A	Driven Unit, 5/8" Bore, 3/16 keyway	\$126.19
209133A	Driven Unit, 3/4" Bore, 3/16 keyway	126.19
209139A	Driven Unit, 7/8" Bore, 3/16 keyway	126.19

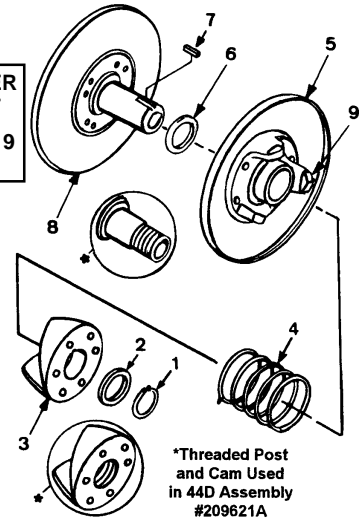
PARTS LIST

ITEM NO.	PART NO.	DESCRIPTION	PARTS USED ON DRIVEN UNIT(S)	RACER NET
1	203159A	Ring, Retaining	All 40D	\$6.26
2	205208A	Washer, Thrust	All 40D	2.93
3	209115A	Cam, Fixed	All 40D	28.43
4	203130A	Spring, Red	All 40D	5.63
5	209128A	Movable Face & Cam w/Bearing	All 40D	55.61
6	203097A	Spacer	All 40D	2.93
7	209166A	Key, 3/16 Sq. x 1/2	209151A-209133A	1.73
8	209150A	Fixed Face & Post 5/8 Bore x 3/16 Keyway	209151A	51.75
8	209132A	Fixed Face & Post 3/4 Bore x 3/16 Keyway	209133A	51.75
9	206458A	Button (pkg. of 3)	All 40D	6.26

44 DRIVEN UNITS
7/8 BELT-8 1/2" DIA.

ORDER NO.	DESCRIPTION	RACER NET
209621A	Driven Unit, 3/4" Bore, Threaded Post & Cam	\$126.19

ASSEMBLY SEQUENCE



PARTS LIST

ITEM NO.	PART NO.	DESCRIPTION	PARTS USED ON DRIVEN UNIT(S)	RACER NET
3	206521A	Cam, Fixed, Threaded Cam	209621A	\$23.93
4	203130A	Spring, Red	209621A	5.63
5	209620A	Movable Face & Cam w/Bearing	209621A	61.76
9	206458A	Button (pkg. of 3)	209621A	6.26

RECOMMENDED BELT SPECIFICATIONS

40/44 SERIES - SYMMETRIC
40 Series: •7/8" Top Width •.45 Thick • Kevlar Type

COMET Order No.	COMET No. Marked on Belt	40 C.D. Setting	44 C.D. Setting	Belt O.C.	Racer Net
203783A	40-75	7 1/4"		31.950	\$27.83
203784A	40-80	7 7/8"		32.900	27.83
203785A	40-85	8 3/16"		33.870	27.83
203786A	40-90	8 5/8"	7 5/8"	34.830	27.83
203787A	40-95	9 3/8"	8 3/16"	35.800	27.83
203788A	40-100	9 3/4"	8 11/16"	36.780	34.54
203792A	40-105	10 1/4"	9 3/16"	37.750	34.54
203789A	40-110	10 1/2"	9 5/8"	38.650	34.54
203790A	40-120	11 1/2"	10 9/16"	40.500	34.54
203791A	40-130	12 5/8"	11 11/16"	42.660	34.54
204331A	40-140	13 3/4"	12 5/8"	44.530	40.13
213165A	44-85	15 3/16"	14 7/32"	47.500	36.71
213295A	44-75	14 11/32"	13 13/32"	45.380	36.71